

ATTN: TSSA BPV NATIONAL REGISTRATION  
TECHNICAL STANDARDS & SAFETY AUTHORITY  
345 CARLINGVIEW DRIVE  
TORONTO ON M9W 6N9

**Date:** 24-Jun-2024  
**TSBC Account #:** 061440  
**TSBC Admin Number:** 107742  
**Canadian Registration Number:** 0A25065.51

### Re: Application for Design Registration

The design, as detailed in your Design Portal application 0A25065.5 - SWAGELOK COMPANY for a Pressure Fitting is registered with the following notes and considerations:

<b>Registered To:</b>	SWAGELOK COMPANY
<b>Project Name:</b>	0A25065.5 - SWAGELOK COMPANY
<b>Drawing #:</b>	Sample body connection (SB). For scope of registration see the attachment A and B
<b>Drawing Revision:</b>	N/A

### Conditions of Registration:

(1) Fitting Registration Expiry Date: 16-Feb-2034 (2) The registration is valid until the indicated expiry date only if the Manufacturer maintains a valid quality management system approved by an acceptable third-party agency until that date. Should the approval of quality management system lapse before the expiry date indicated above, this registration shall become void.

### Reviewer's Notes:

Any additional conditions and considerations from the initial province of registration shall apply to this BC registration.

Full details of this submission including the scope of registration, design conditions, fabrication details, and calculations pertaining to this design are located in the above Admin Number on the Design Portal. For all other enquiries, please contact [eim@technicalsaftybc.ca](mailto:eim@technicalsaftybc.ca).

The Engineering Information Management Team

## Attachment B: Scope of CRN Registration for Swagelok Sampling Body (SB) (Category A)

This document represents the scope of Sampling Body (SB) fittings covered by this submission for CRN approval. This Sampling Body (SB) product is present in the Grab Sampling Valve (GSV) product line. These fittings were designed and evaluated in accordance with ASME B31.1-2020 for unlisted components and ASME B31.3-2020 for unlisted components.

### Summary Table

Product Series	Main Pressure Bearing Component	Main Pressure Bearing Material	Port Connections and Sizes	Maximum Rated Pressure (psig)		Design Code of Construction
				@ 100°F	@ Max Temp.	
GSV (SB)	Sample Body (SB)	S31600 / ASTM A479	Tube Adapter 1/4", 6mm Female NPT 1/4" Male NPT 1/4"	3000	1680 @ 1000°F	ASME B31.1 (Unlisted Components) and ASME B31.3 (Unlisted Components)

Note: The low temperature rating (MDMT) of this product is -65°F. This value is above the Minimum Temperature listed in Table A-1 for this material (-325°F).

### Product Illustration

Figure 1 – Grab Sampling Valve

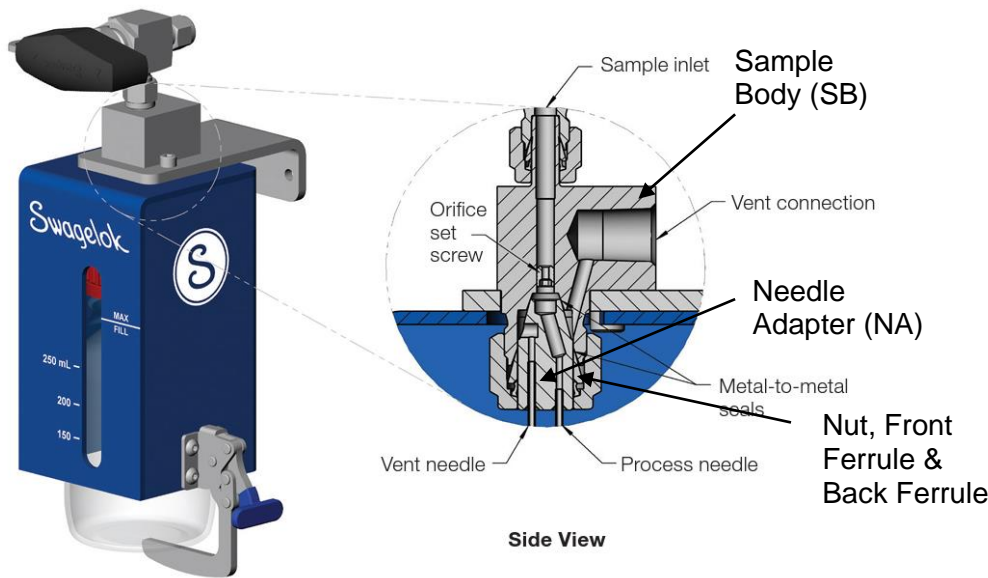
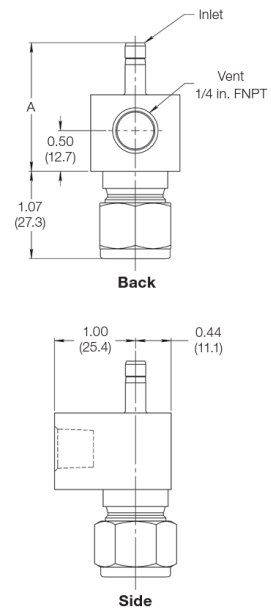


Figure 2 – Sample Body (SB)



### Typical Product Characteristics

No end connections offered for use with the Grab Sampling Body (SB) product have a pressure rating less than the fitting itself.



All of the above end connection options are within the scope of this approval.

### **Quality System**

The Swagelok Company quality system complies with the requirements of ISO 9001:2015. The Swagelok Company maintains British Standards Institution Certificate of Registration Number FM 01729, which applies to all locations listed on the Certificate.

### **References**

The below product catalog does not represent the full scope of registration, but rather details some of the most common applications

- Grab Sampling Station Application Guide, A Swagelok Application Solution MS-02-479

## Attachment A. Swagelok Manufacturing Locations

This document lists the Swagelok locations where end item or component level manufacturing activities take place.

Swagelok Company 29500 Solon Road Solon, Ohio 44139 USA	Swagelok Company (HPF) 6050 Cochran Road Solon, Ohio 44139 USA
Swagelok Company (OFC) 29495 F.A. Lennon Drive Solon, Ohio 44139 USA	Swagelok Company (Snow Metal) 6060 Cochran Road Solon, Ohio 44139 USA
Swagelok Precision Machining Services 1924 East 337th Street Eastlake, OH 44095 USA	Swagelok (China) Fluid System Technologies Ltd. Changshu Export Process Zone Changshu Economic Development Zone Changshu, Jiangshu 215513 China
Swagelok Company (Highland) 318 Bishop Road Highland Heights, Ohio 44143 USA	Swagelok Company (Strongsville) 15400 Foltz Road Strongsville, Ohio 44119
Swagelok Company (Atlantic) 26651 Curtiss Wright Parkway Willoughby Hills, Ohio 44092 USA	Swagelok Company (Alfred) 29500 Ambina Drive Solon, Ohio 44139
Swagelok Company (Micro) 26653 Curtiss Wright Parkway Willoughby Hills, Ohio 44092 USA	Swagelok Hose Services Company (SHSC) 29900 Solon Industrial Parkway Solon, Ohio 44139
Swagelok Company (Falon 1) 348 Bishop Road Highland Heights, Ohio 44143 USA	Swagelok Limited Ballafletcher Road Tromode IM4 4RA Isle of Man
Swagelok Company (Falon 2) 358 Bishop Road Highland Heights, Ohio 44143 USA	